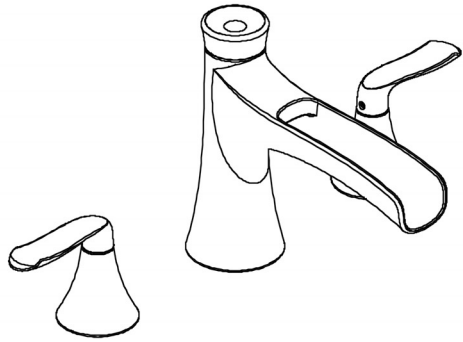


## Instructions for Models:

SB-1231  
SB-1231-BN  
SB-1231-PN



## Need Help?

For additional assistance or service call:

**SPEAKMAN** Company  
400 Anchor Mill Road  
New Castle, DE 19720

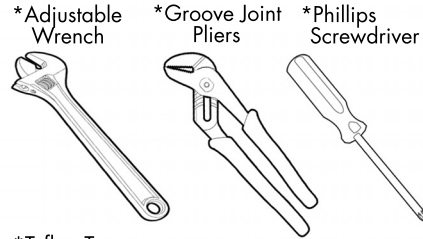
PHONE: 800-537-2107  
EMAIL: [customerservice@speakmancompany.com](mailto:customerservice@speakmancompany.com)  
WEB: [www.speakmancompany.com](http://www.speakmancompany.com)

92-3409-R1

## What You Need To Know:

### Tools:

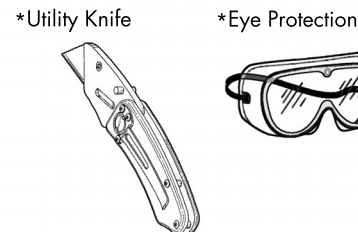
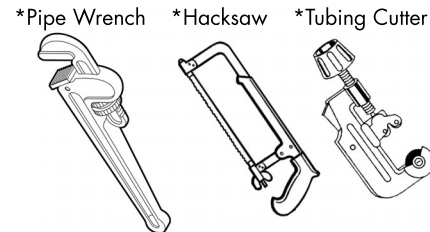
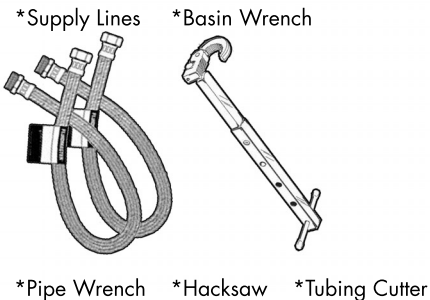
#### Required:



#### \*Teflon Tape



### Helpful:



## What You Need To Know:

### Important Notes:

Be sure to read instructions thoroughly before beginning installation. Do not overtighten any connections or damage may occur. This faucet has an operating range of 20-80 psi.

### Safety Tips:

Cover your drain to prevent loss of parts.

Be sure to wear eye protection while cutting pipe.

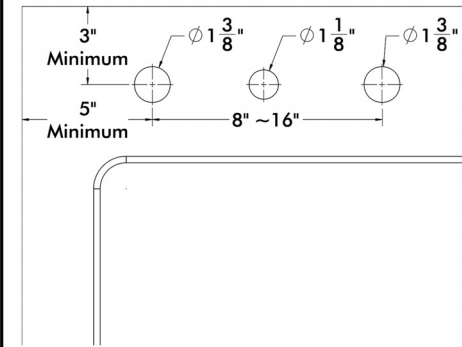
### Maintenance:

Your new Roman Tub Faucet is designed for years of trouble-free performance. Keep it looking new by cleaning it periodically with a soft cloth. Avoid abrasive cleaners, steel wool, and harsh chemicals as these will dull the finish and void your warranty.

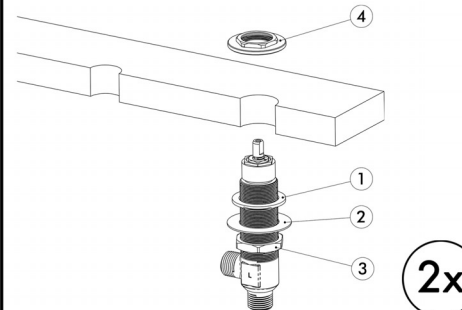
**1** Drill holes in finished deck per diagram.

Note:

This system is intended for installations up to 2" thick.

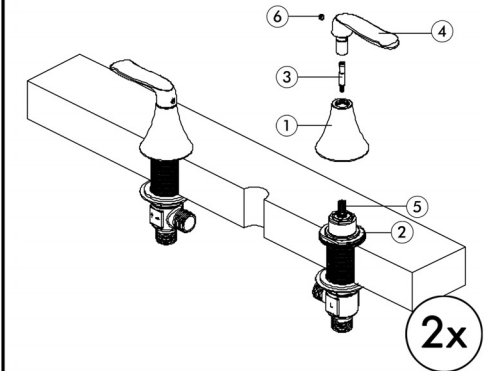


**2** From underneath the deck, insert valve body with rubber washer (1), metal washer (2), and mounting nut (3), through holes on the right (COLD) side. From above, thread flange (4) onto valve stem. Tighten mounting nut (3), so that the flange (4) sits flush to the surface of working area. Repeat for left (HOT) side.  
Note: HOT side end valve is labeled.



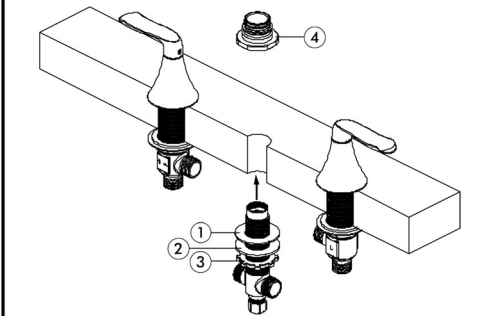
2x

**3** Thread handle seat (1) onto flange (2). Place screw (3) and handle (4) onto valve stem (5). Secure handle with set screw (6).

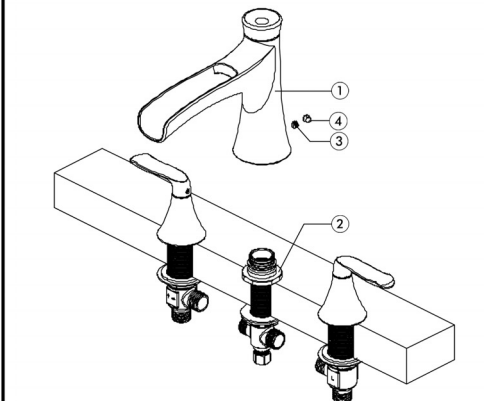


2x

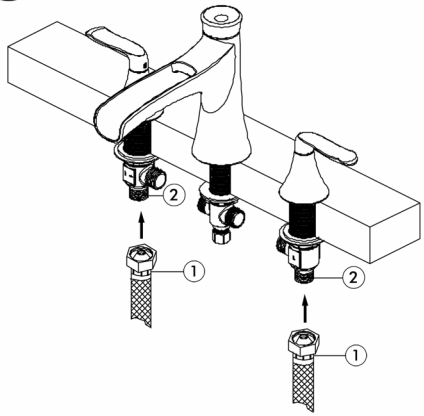
**4** From underneath the tub deck, insert middle body with rubber washer (1), metal washer (2), and mounting nut (3) thru mounting hole. From above, thread connector (4) onto middle body. Tighten mounting nut (3), until connector (4) sits flush to the top surface of the tub deck.



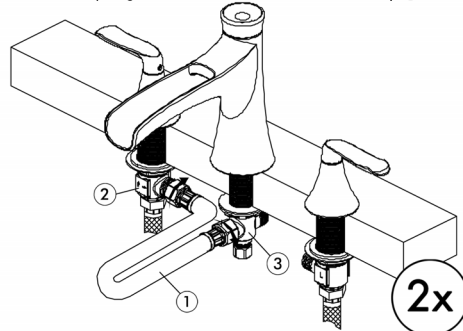
**5** Assemble and align spout (1) onto connector (2) and secure spout with set screw (3). Insert button (4).



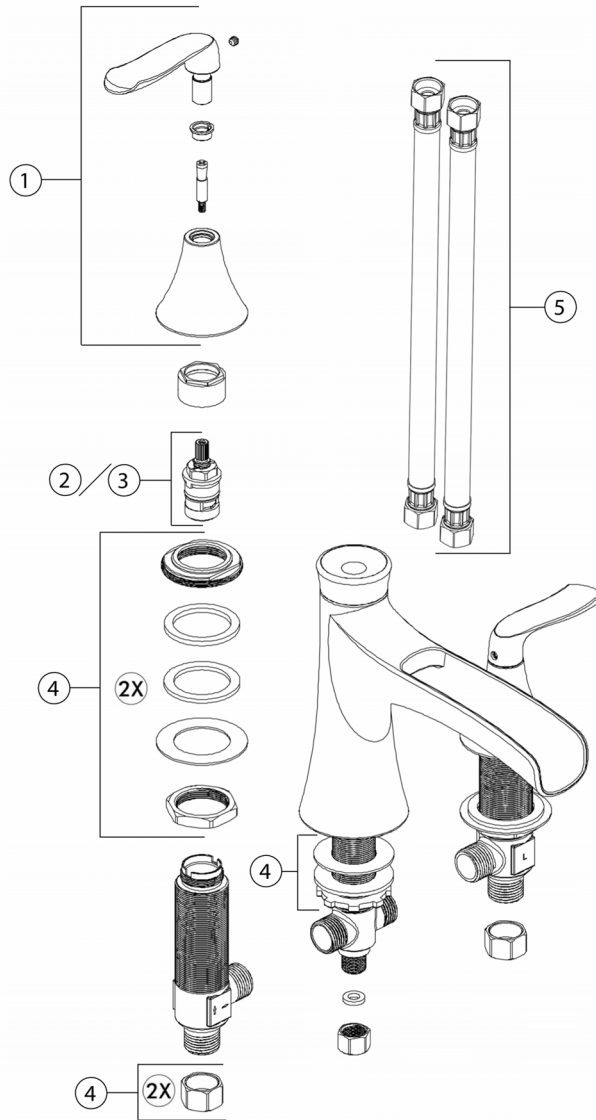
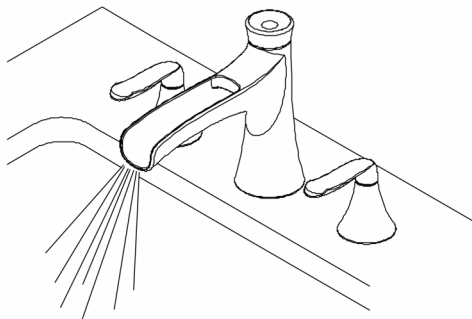
**6** Connect water supply lines ① to faucet inlets ②  
 NOTE: Supply lines are not included.



**7** Connect the flexible water supply hose ① (included) to the bottom of valve bodies ② as shown. Align middle body ③ to a position which will allow maximum clearance to connect hoses. Carefully bend hoses to fit available space. Thread the hose couplings to the sides of the middle body ③.



**8** **IMPORTANT:** After installation is completed, turn on water supply and allow both hot and cold water to run for at least one minute each.



- ① RPG04-0399-(PC,BN,PN)
- ② RPG05-0889 (HOT VALVE)
- ③ RPG05-0890 (COLD VALVE)
- ④ RPG45-0047
- ⑤ RPG63-0085

